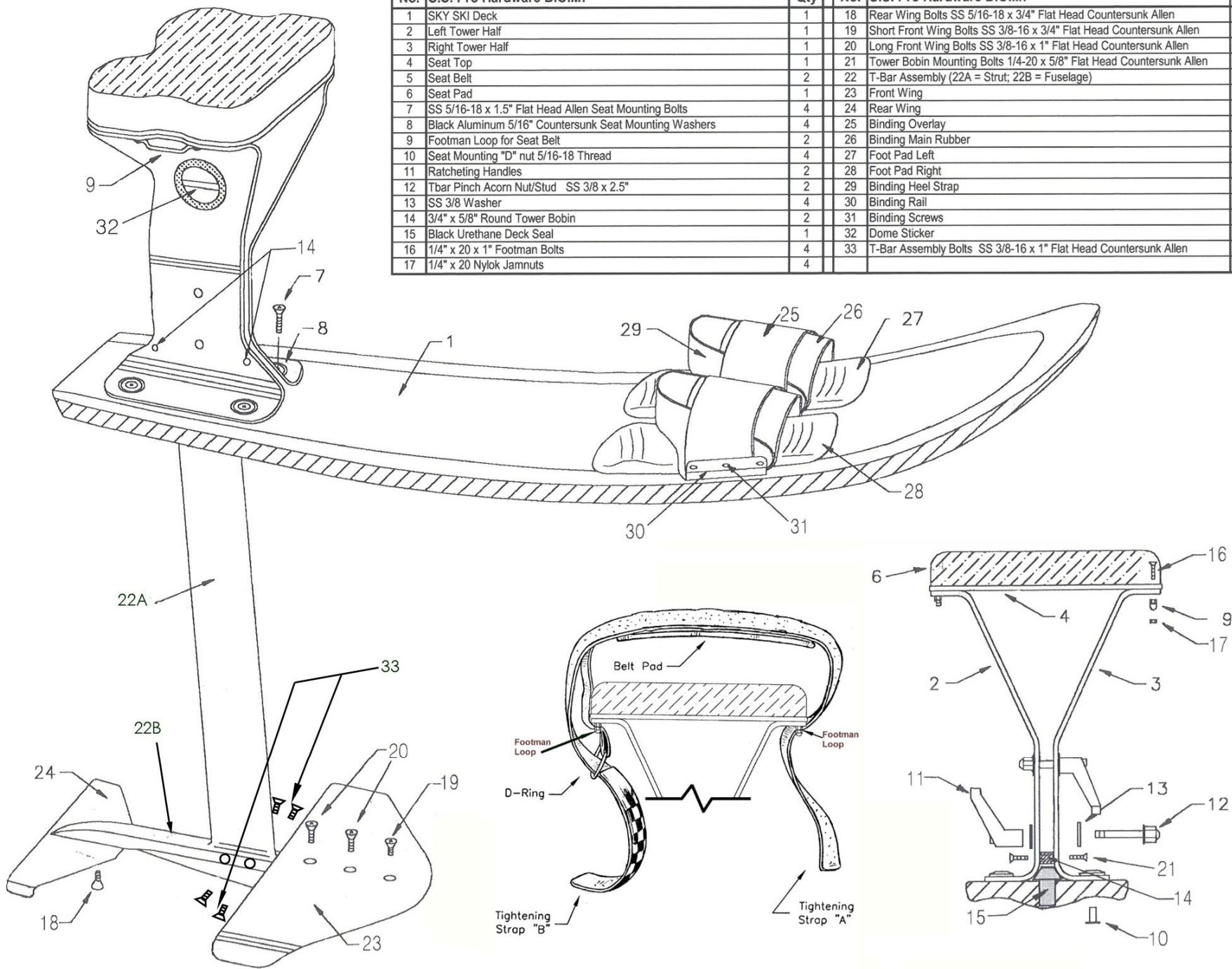


No.	S.S. Pro Hardware B.O.M.	Qty	No.	S.S. Pro Hardware B.O.M.	Qty
1	SKY SKI Deck	1	18	Rear Wing Bolts SS 5/16-18 x 3/4" Flat Head Countersunk Allen	2
2	Left Tower Half	1	19	Short Front Wing Bolts SS 3/8-16 x 3/4" Flat Head Countersunk Allen	1
3	Right Tower Half	1	20	Long Front Wing Bolts SS 3/8-16 x 1" Flat Head Countersunk Allen	2
4	Seat Top	1	21	Tower Bobin Mounting Bolts 1/4-20 x 5/8" Flat Head Countersunk Allen	4
5	Seat Belt	2	22	T-Bar Assembly (22A = Strut; 22B = Fuselage)	1
6	Seat Pad	1	23	Front Wing	1
7	SS 5/16-18 x 1.5" Flat Head Allen Seat Mounting Bolts	4	24	Rear Wing	1
8	Black Aluminum 5/16" Countersunk Seat Mounting Washers	4	25	Binding Overlay	2
9	Footman Loop for Seat Belt	2	26	Binding Main Rubber	2
10	Seat Mounting "D" nut 5/16-18 Thread	4	27	Foot Pad Left	1
11	Ratcheting Handles	2	28	Foot Pad Right	1
12	Tbar Pinch Acorn Nut/Stud SS 3/8 x 2.5"	2	29	Binding Heel Strap	2
13	SS 3/8 Washer	4	30	Binding Rail	4
14	3/4" x 5/8" Round Tower Bobin	2	31	Binding Screws	12
15	Black Urethane Deck Seal	1	32	Dome Sticker	2
16	1/4" x 20 x 1" Footman Bolts	4	33	T-Bar Assembly Bolts SS 3/8-16 x 1" Flat Head Countersunk Allen	4
17	1/4" x 20 Nylok Jamnuts	4			



ASSEMBLY INSTRUCTIONS

Assembling the Sky Ski Hydrofoil

Required: Strut (22A); Fuselage (22B); Front Wing (23); Rear Wing (24); Allen Bolts (18, 19, & 20) and Allen Wrenches.

- 1) Apply a small amount of grease to the end of the strut that has two holes side by side. Now insert the strut into the pocket in the fuselage. Install the 3/8 – 16 x1” Flat Head Allen Bolts (33) and torque to 25-30 foot lbs. Anti-seize or similar lubricant is recommended to insure these bolts do not seize in place after time.
- 2) When bolting the Wings to the T-bar please note that there are different size bolts for the front & rear wings. The front wing uses 3/8” diameter bolts, the front bolt is 3/4” long (19), the middle and rear bolts are both 1” long (20). The rear wing uses 5/16” diameter bolt that are 5/8” long (18).
- 3) The foil is assembled properly when all winglets are facing down and the Allen bolts are tightened to approximately 10 foot-pounds of torque. Please refer to diagram for location of each bolt.
- 4) These bolts occasionally work loose over time. You must re-check each bolt periodically to maintain tightness. We recommend some sort of anti seize product to prevent these bolts from seizing in place. **Do Not Use Loc-tite on these bolts!**

Assembling the Sky Ski Standard Seat Tower

Required: Seat halves (2 & 3); Seat top (4); and all remaining hardware, excluding 7, 8 & 10.

(Note: Shock Tower, Soft-Tail Tower and Limited Edition Shock Towers are all shipped assembled)

- 1) Install Tower Bobbins (14) between Tower halves (2 & 3) using four 1/4" x 5/8” flat head allen bolts (21).
- 2) Place seat top (4) on top of seat halves (2 & 3) with the countersunk holes facing up. The Tailbone cutout should be to the rear of the tower, (the front of the seat tower angles forward). **IMPORTANT: Putting the seat tower on backwards will alter your center of gravity. Please refer to schematic to make sure you seat tower is assembled correctly.**
- 3) Push four 1/4" x 1” flat head allen bolts (16) down through seat top (4) and seat halves (2 & 3). Place Footman Loops (9) into seatbelt (5) loops and then push footman loops onto the ends on the bolts (16) underneath each side of tower. Thread on 1/4" nylok nuts (17) and tighten. Please refer to diagram for placement of seatbelt & footman loops.
- 4) Clean seat top (4) with rubbing alcohol. Next, peel off backing of seat pad (6) exposing the glue. Carefully align seat pad (6) with seat top (4) and firmly press the two together.
- 5) Install seat pinch bolts (12) with washer (13), one in the upper hole and one in the lower hole from opposite sides. Install washer (13) and ratchet handle (11) onto threaded ends. **Note:** To disengage ratchet handle grasp handle at the base of the handle, pull out, directly away from seat tower and turn away from direction of tightening. Release handle, then tighten again. Repeat if necessary.

Mounting the Seat Tower to the Sky Ski Board

Required: Assembled Seat Tower; Board (1); all remaining hardware (7, 8, & 10)

- 1) Place deck seal (15) into slot in top of board. Place tower on board on top of deck seal.
- 2) Install 5/16” x 1-1/2” flat head allen bolts (7) and washers (8) thru tower and into board. Install d-nuts (10) up thru bottom of board and thread bolts in, but **DO NOT TIGHTEN YET**. These bolts must remain loose to allow for proper T-bar alignment.
- 3) Remove lower seat pinch bolt (11, 12, &13). Wet the deck seal (15) and the top of T-bar (22) with water. Slide T-bar through deck seal and board, and into seat tower until the notch in the top of the T-bar rests against the upper seat pinch bolt. Re-install the lower pinch bolt and tighten both upper and lower pinch bolts. Now that T-bar is installed and tightened into the tower, tighten the tower mounting bolts to the deck, using approximately 15-18 foot pounds of torque. Once tower mounting bolts are tight you can remove T-bar.
- 4) When assembling the foil into the board and tower before going for a Sky Ski ride, tighten the seat pinch bolts to 25-30 foot-pounds of torque. This may require using a wrench on the acorn nut while simultaneously holding the ratchet handle. It is important that the foil is tightened sufficiently to prevent movement in the tower while riding!

Please note, checking and maintaining tightness of all hardware is your responsibility!!

Safety Rules & Disclaimer

Sky Skiing has inherent risks, and injuries including disability and death can occur. Always follow all safety rules described in this manual. Do not attempt new maneuvers without proper safety equipment and supervision. Keep this manual and review it periodically.

ALWAYS.....

Always ride the Sky Ski with your heel safety straps on and seat belt securely tightened.

Always wear a Coast Guard Approved personal flotation device that fits properly.

Always instruct new riders in all these rules & warnings, and make sure they use the heel safety straps and seat belt properly.

Always consider your surroundings. Stay well away from shore and other boats. Lakes and rivers often have shallow areas you should avoid such as rock bars, sand bars and outcroppings.

Always be aware that PWC's and other jet powered watercraft are able to tow the Sky Ski into areas that are dangerously shallow.

Always be aware that water levels may vary due to tides or flows.

Always avoid riding near swimmers, and others using the water.

Always follow all local rules and regulations regarding towed watersports

Always use a non-stretch tow line to reduce the risk of handle recoil.

Always use a trick release on your rope with an experienced pin puller when attempting new tricks or advanced maneuvers.

Always inspect all your equipment for frayed, damaged, or loose parts before each ride.

Always insure that your seat pinch bolts are tight before each ride.

Always maintain control and stay behind the boat while in a turn.

Always take responsibility for young or inexperienced riders. Realize that their safety is your obligation and their judgment may be inexperienced.

Always be prepared to quickly remove your Sky Ski. Currents may push you into docks, anchor lines, boats or other fixed objects and pull you under.

Practice taking off your Sky Ski as quickly as possible and be prepared to do so in an emergency.

Always look for other boat traffic after a fall. You will not be able to dive below the surface while strapped to the Sky Ski.

NEVER.....

Never ride in water that is unfamiliar or less than 8 feet deep.

Never exceed 15 mph until the "taxi" position is mastered.

Never ride at excessive speeds. Suggested speed is 25mph or less.

Never ride near, through, or over floating objects such as sticks, seaweed, or ropes.

Never tow more than one Sky Ski at a time.

Never ride more than one person on one Sky Ski at a time.

Never ride with a "Deep V" handle unless teaching a new beginner how to get up. As soon as not needed replace with a regular handle.

Never ride Sky Ski if under the influence of alcohol or drugs.

Never ride Sky Ski if your driver is under the influence of drugs or alcohol.

Never ride over your ability. Do not attempt jumps until you are completely comfortable flying the foil and crossing the wakes.

Never perform any modifications to your Sky Ski. Examples are (but not limited to) lengthening or sharpening the foil, using non-Sky Ski approved components on any part of your Sky Ski. This will void your warranty and could cause serious injury or death.

Never attach the foil assembly to any other watersports device.

Never throw away this manual. You must review it periodically, especially before allowing others to use or borrow your Sky Ski. You must review these warning, safety rules, and disclaimer with each new rider you pull. Give this manual to anyone you sell or give a Sky Ski to.

Never ride your Sky Ski in or near electrical storms (Lightning). Immediately stop all water activities and seek shelter.

Do not use this product if you are pregnant, or could be pregnant, or if you have neck or back problems.

DISCLAIMER

Severe injury or death may occur, even if you follow all of these rules.

Sport activities such as Sky Skiing are inherently dangerous. The Sky Ski is only as safe as the rider using it, and the driver towing it. Use common sense as the rider, boat driver or observer to reduce your risk of injury.

Flight School

Ropes and Handles

Always use a non stretch rope to reduce the risk of handle recoil. A “deep V” handle should only be used in the beginning stages of learning. Deep V Handles are a great training aid and can significantly speed the learning process for new riders. However, riders should replace their Deep V handle with a regular handle as soon as possible to reduce the risk of falling forward (with a limb or other body part) into the large “hole” section of the deep v.

Your line or handle may become caught on the ski, seat tower or foil assembly, especially when leaning new tricks such as flips or spins. Always use a trick release with an experienced pin puller to reduce your risk of injury.

Rope length is a personal preference, there is no set standard. Generally, beginners will find it easier to learn with a shorter rope (55-65 feet) while experienced & advanced riders will prefer a longer rope (75-95 feet).

Pre-Flight Checks

Before you hit the water, mentally review your plan on the water. Go through the motions on dry land with a rope and handle. Hook up your deep v handle (beginners only, experienced riders use regular handle). Double check all your equipment for loose or damaged parts. Have a pre-ride discussion with your driver and observer. Warm up with some light calisthenics & stretching.

Putting on your Sky Ski

Being properly secured to your Sky Ski helps prevent injuries caused by a free flying foil after a fall, but you can't avoid this if you don't use the heel straps and the seatbelt correctly. A fall without the heelstraps on can result in your feet coming out of the bindings, the ski pivoting around at the seat, and the foil swinging around for a head or body shot.

The first step is to get into the water with your ski. ***Do not dive in!*** Be careful not to kick your feet by the foil. Always approach your Sky Ski from behind it, with the board pointing away from you. Next, slide feet first completely through the seat belt until your back is against the front of the seat. Use your “off” foot for support by sliding it under the heelstrap, into the binding or anywhere nearby where you can use it for leverage by pushing yourself back against the seat. Next, slide the front part of one foot over the heelstrap, into the other binding. Reach down, grab the heelstrap from under your heel and firmly pull back, onto your heel. Release the heelstrap and your foot will slide into the binding. Repeat for second foot. Now slide back up onto the seat. Sit even with, or slightly forward of the rear edge of the seat. Sitting with your butt of the back of the seat will cause the foil to have too much lift and be difficult to control. Tighten the seat belt securely, a loose belt may allow you to slip forward, off the front of the seat. If you use gloves when learning it may be difficult to reach around and feel where everything is. It may help to put your gloves on after you get into your Sky Ski. If possible you can practice putting on and taking off your Sky Ski in a pool or shallow water to speed the learning process. If you are pulling friends on your Sky Ski always make sure they properly use the heelstraps and seatbelt. Practice rapid removal of your Sky Ski in case you need to get it off in a hurry. Possible scenarios include: avoiding oncoming traffic after a fall, being drawn into or under a fixed object while floating in a current, becoming stuck in the bottom after a fall. Be aware that these events, while unlikely, are possible. Preparation is critical.

Ready to Taxi (8-15mph)

Now that you are connected to your Sky Ski you are ready to taxi. Place the open section of your deep v rope over the tip of the Sky Ski. Keep your midsection to help guide it straight.

When you're ready, signal to start. The boat driver should pull you up very slowly, this super slow start should be equivalent to pulling a small child up on training skis.

Lean forward while pushing the handle down. Keep both arms locked straight. This is the easiest way to learn and teach the deepwater start, however this position also puts strain on the lower back. The alternate method is to lean back on the start while resisting (pushing) with your feet and keeping your arms straight. Keep the tip up, above the water throughout the startup process.

As the ski begins to plane you must angle the foil downward by raising your hands and leaning forward, continue to keep both arms locked straight. Don't push or pull or with your feet, relax your lower body. If your butt is hanging off the back of the seat the foil will have too much lift and be difficult to control, let go of the handle, scoot forward and retry.

Steering is done by aiming your knees the direction you want to go, similar to snowskiing. In this case, your foil becomes a rudder. Avoid the common mistakes of bending the arms and leaning to try to steer.

It is a normal reaction to lean back and “push away from trouble”. Don't do it! Small movements have a dramatic effect on the performance of the foil. Use “micro-movements” for the best control. Practice taxiing and steering until you don't have to think about it.

Learning to Fly (15-18mph)

When you have mastered the taxi, bump your speed up about 2 mph. Slowly start sitting up straight. If you begin to feel unstable, lean forward again. As you slowly sit up you will feel the board lift off the water. If you sit up quickly, or lower the handle the foil will generate lift very quickly, this is where things happen fast! Be prepared to lean forward immediately after the board lifts off the water. Increasing speed also generates lift, take it slow.

If you look down, you fall down. Keep your head up, eyes looking forward, into the boat to maintain proper balance.

Speeds

NEVER exceed 15 mph until taxi position is mastered. Always increase speeds gradually. Slower is better, especially when learning new skills. The proper speed will depend on the size, weight & skill of the rider.

SKY SKI

LIMITED WARRANTY, LIMITED REMEDY AND LIABILITY RELEASE IT IS IMPORTANT TO READ ALL THE CONTENTS OF THIS FORM

Our goal is to have happy customers, and we'll do everything reasonable to reach that goal.

Sky Ski does not guarantee that Sky Ski products are unbreakable, just that they are free of manufacturers defects.

The Sky Ski product warranties and obligations set forth below are in lieu of any other express warranties or obligations of Sky ski, it's distributors, or retailers. The warranties and limitations extend only to the original purchaser or to the person for whom originally purchased for.

Sky Ski, for a period of one (1) year from the date of purchase will, at manufacturer's option, repair or replace at no charge any Sky ski hydrofoil product which has been determined to be defective in materials or workmanship. **This warranty does not apply to damage or failure due to:**

- 1. Accidents, alterations, abuse or neglect.**
- 2. Materials fatigue, normal wear & tear**
- 3. Improper assembly, maintenance, or installation of parts or accessories not originally intended to be compatible with the Sky Ski as sold.**

This warranty also excludes:

- 1. Damage incurred as a result of: running aground, hitting any object in the water, step-up jumping, lack of technical skill, competence, or experience of the rider.**
- 2. T-bars, and seat towers which are bent from just riding along can be a sign of misuse or abuse and are not covered by this warranty.**

For a period of one (1) year from date of purchase, the neoprene and neoprene sponge used in the construction of the Sky Ski bindings, and seat pad are warranted to be free of defects in material and workmanship. **The Warranty does not extend to the tearing out of heel straps, nor does it extend to normal wear and tear or abrasion of the neoprene sponge foot beds, seat belt or seat pad, or damage due to improper handling, maintenance, use, or storage.** Do not use oil or silicone as a lubricant, as they will stay in your binding and prevent a secure fit.

Activities involving the use of the Sky Ski are by their nature HAZARDOUS. Users of the Sky Ski therefore assume the risk of bodily injury or death arising from those activities. Sky Ski is not liable to users or third parties for any incidental or consequential damages, including damages for personal injury, beyond the responsibility Sky Ski assumes for replacement or repair of its products subject to the conditions set forth herein.

USEFUL PRODUCT LIFE CYCLE

Every Sky Ski hydrofoil & seat tower has a useful product life cycle. This useful life cycle is not the same as the warranty period. The warranty identifies the period of time that Comptech Marine will replace or repair at our cost, any component determined to be defective in either materials or manufacturing, if it becomes necessary. The useful life cycle will vary depending on which model of hydrofoil, riding conditions, and the care & maintenance the hydrofoil receives. Competition, jumping, trick riding, and riding in severe conditions or climates, riding with heavy loads, or any other non-standard use can effect the useful life cycle of a Sky Ski hydrofoil or seat tower. Any one or a combination of these conditions may result in an unpredictable failure of a Sky Ski hydrofoil or seat tower that would not be covered by this warranty. All Sky Ski components should be periodically checked for indications of potential failures including cracks, corrosion, dents, deformation and any other indications of potential problems, inappropriate use or abuse. These are important safety checks and very important to help prevent accidents, bodily injury to the rider and shortened useful product life cycle of a Sky Ski hydrofoil or seat tower.

LIMITATION OF REMEDY

All warranty issues MUST be taken care of through the dealer which the product was originally purchased through.

During the warranty period, Sky Ski will, at its option either repair or replace defective equipment. To obtain repair or replacement, call Sky Ski customer service for a return authorization number. Then attach your name, address, phone number, description of problem and proof of purchase (for example, a sales receipt or canceled check) to the product. **At your expense**, ship or deliver the product to your Sky Ski dealer utilizing an accepted and traceable shipping method. If returning the equipment directly to Sky Ski call first to obtain a Return Authorization number. Items received with no RA# will be refused and returned. Replaced or repaired items under warranty will be returned to you at no charge.

Some states do not allow limitations on how long a warranty lasts, and some states do not allow the exclusion of limitation of incidental or consequential damages, so the above limitations or exclusions may not apply to you.

Here at Sky Ski we are constantly researching and developing our methods of manufacturing and tuning to provide you with the best equipment possible. This means that while some specs change, the upgrading and re-tuning of your older equipment to the latest specs is not covered by this warranty.

CLEANING AND MAINTENANCE

Keeping your foil clean and polished will maintain the performance. Polish can be maintained by using any aluminum polish, such as Luster Pad, available at Sky Ski.

STORAGE

Bright and neon colors will fade when subjected to prolonged sun-light exposure. **THIS IS NOT COVERED UNDER WARRANTY.**

To protect your ski from ultraviolet rays of sunlight, cover your Sky Ski or use a bag when not in use. Please contact us at any time with questions regarding any of our products.

NEVER store your foil wet, or store in a wet foil cover or other wet environment, this will cause excessive pitting and corrosion. This is NOT covered by warranty.